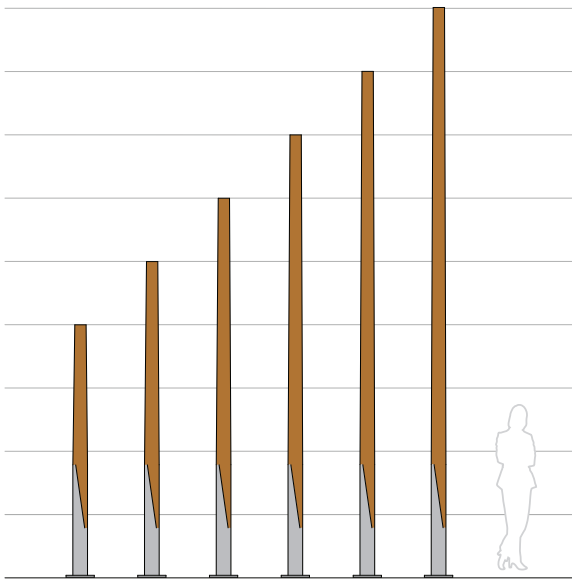


Sine 8' – 18' Scarf Joint Square Poles

FIXTURE TYPE: _____

PROJECT NAME: _____



Scarf Joint Square Tapered Pole

Glulam solid wood and aluminum pole available in 8' – 18' lengths. Tenon adapters, slip fitters and side bracket mounts are available for luminaire mounting.

FEATURES:

- Scarf joint detailed base with tapered, square, solid glulam wood pole
- Square extruded aluminum pole base with flush handhole cover held with countersunk stainless steel fasteners.

SPECIFICATIONS:

HOUSING: Solid wood pole is assembled through glulam construction and precision machined using CNC technology. An electrical raceway is provided in the pole's center for wiring. Laminations measure no more than 2" in thickness. Adhesive complies with ASTM D-2559 glulam construction specifications for extreme exposed weather conditions, is waterproof and rated for wet or dry use exposure.

Glulam wood shaft is fastened to aluminum pole base welded to a 3/4" thick aluminum anchor bolt base. Anchor bolt kit includes (4) 3/4" hot dip galvanized anchor bolts and fasteners and ridged concrete pour template.

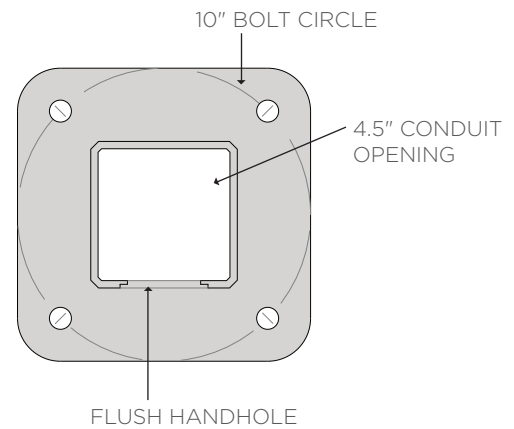
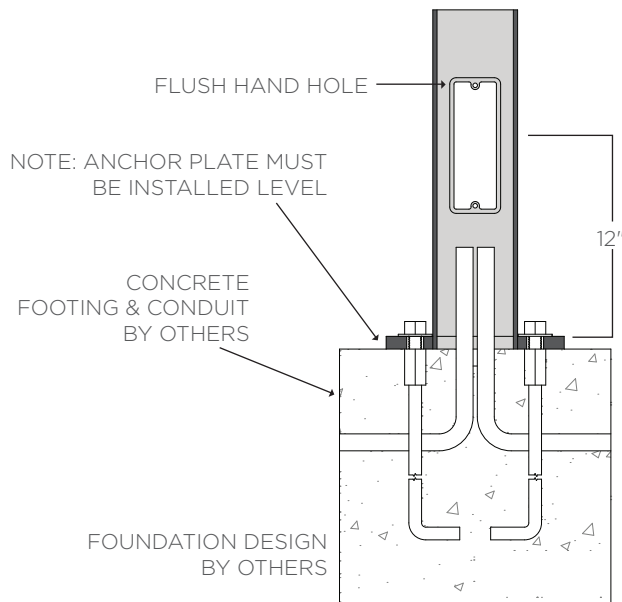
FIXTURE MOUNTING: Fixtures mount either by 2 3/8", 2 7/8", 3 1/2", or 4" diameter by 4" tall tenon or drill mount for arm brackets. Consult factory for other tenon sizes. Luminaires shall be provided by others.



ELECTRICAL: A 5/16" – 18 grounding point is provided on the aluminum pole base. Wireway access is provided through a NEC compliant handhole with a flush, gasketed cover plate.

FINISHES AND MATERIALS: Woods are finished with a low VOC waterborne matte exterior finish containing UV and mildew inhibitors. All aluminum parts are polyester powder coat painted.

HARDWARE: Fasteners are stainless steel. Anchor bolt kits are hot dip galvanized.



ORDERING GUIDE: EXAMPLE: SINE-T-14-50-40-56-C7-LIN-STD



1	Series	5	Top Width	8	Fixture Mounting
SINE	Sine	40 50	4.0" 5.0"	LIN	Structura Lineal
2	Shaft Shape	6	Wood Finish	Tenon	
T S	Square Taper Square Straight	S*	See color options on finishes technical sheet	T2384 T2784 T3124 T4004 TXXX	2 3/8" x 4" Tenon 2 7/8" x 4" Tenon 3 1/2" x 4" Tenon 4" x 4" Tenon Specify other Tenon
3	Height	7	Metal Finish	Drill	
8 10 12 14 16 18	8' 10' 12' 14' 16' 18'	C* CSM	See color options on finishes technical sheet Custom Color	D1 D2 D3 D4 D5	1 @ 90deg 2 @ 180deg 2 @ 90deg 3 @ 90deg 4 @ 90deg
4	Base Width			9	Special
50	5.0"			STD MOD	Standard Modified