

Reverse Tilt 14' Linear LED Pole

FIXTURE TYPE: _____

PROJECT NAME: _____



Shown with Reverse Tilt Bollard.

Double upright aluminum pedestrian pole with 9' cantilevered arm containing linear LED lighting.

FEATURES:

- Smooth, dot free lumination
- Integral power supply
- Multiple static color options and color changing RGB available

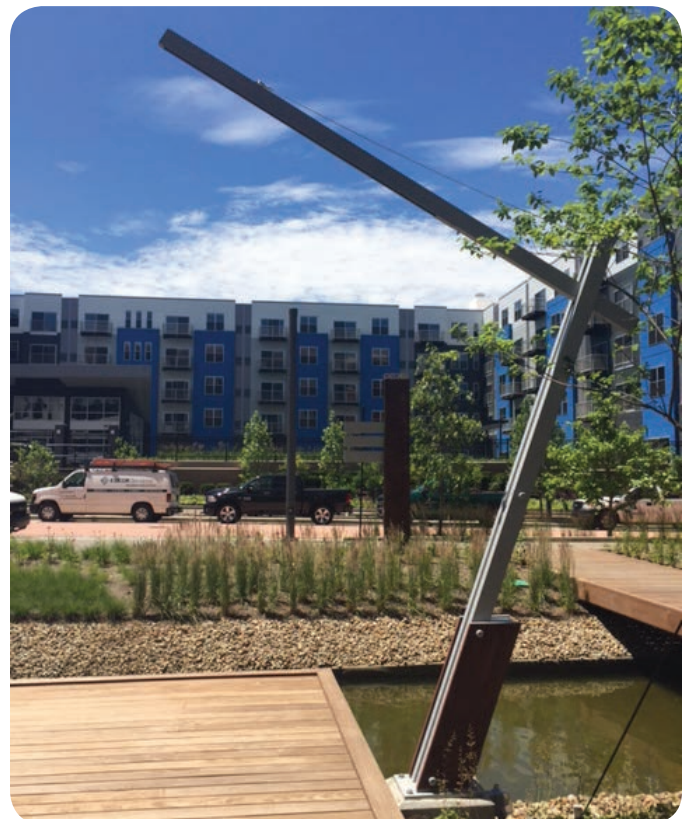
SPECIFICATIONS:

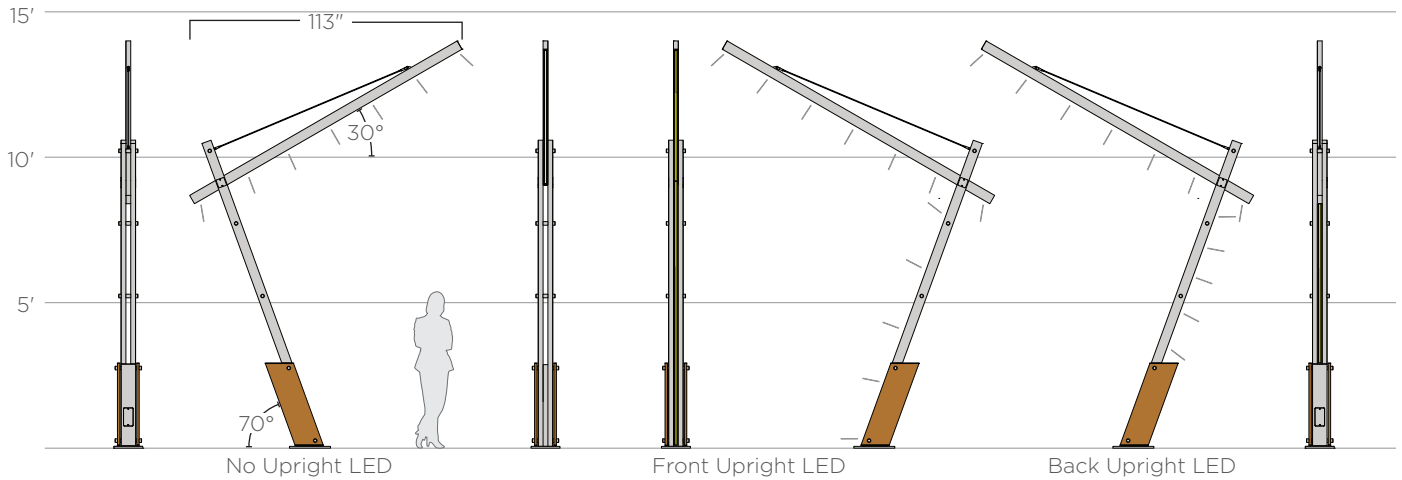
CONSTRUCTION: Rectangular extruded 6061-T6 aluminum alloy tubes fastened to square 6061-T6 base support welded to 319SR aluminum alloy baseplate.

FINISHES AND MATERIALS: Metal pole shafts and base casting are polyester powder coat painted.

ELECTRICAL: Powered by a 90-305VAC primary/24VDC secondary integral power supply. System is 0-10V dimmable. Wireway access is provided through a NEC complaint handhole with a flush mounted, gasketed cover plate. Constructed with a US and Canada UL listed luminaire.

HARDWARE: All hand hole fasteners and luminaire bracket arm hardware are stainless steel. Anchor bolt kits are ASTM F1554 grade 55 steel with galvanized steel hex nuts and washers.





| | Standard Output | | Medium Output | | High Output | |
|-------|-----------------------|-------|-----------------------|-------|-----------------------|-------|
| LED | Lumens ⁽¹⁾ | Watts | Lumens ⁽¹⁾ | Watts | Lumens ⁽¹⁾ | Watts |
| Arm | 1,134 | 16 | 2,079 | 32 | 3,087 | 53 |
| Front | 1,026 | 15 | 1,881 | 29 | 2,793 | 48 |
| Back | 675 | 10 | 1,237 | 19 | 1,837 | 32 |

ORDERING GUIDE: EXAMPLE: REV TILT-14-C5-L30HO-UFSO-P1/S3-120-STD



| | | | | | |
|--|---|---|---|--|---|
| <p>1</p> <p>REV TILT</p> <p>2</p> <p>14</p> <p>3</p> <p>C*</p> <p>CSM</p> <p>4</p> <p>L27</p> <p>L30</p> <p>L35</p> <p>L40</p> <p>AMB</p> <p>BLU</p> <p>GRN</p> <p>RED</p> <p>RGB</p> | <p>Series</p> <p>Reverse Tilt</p> <p>Pole Height</p> <p>14'</p> <p>Pole Finish</p> <p>See color options on finishes technical sheet</p> <p>Custom Color</p> <p>Light Color</p> <p>2700K</p> <p>3000K</p> <p>3500K</p> <p>4000K</p> <p>Amber</p> <p>Blue</p> <p>Green</p> <p>Red</p> <p>Color Changing⁽²⁾</p> | <p>5</p> <p>SO</p> <p>MO</p> <p>HO</p> <p>6</p> <p>UO</p> <p>UF</p> <p>UB</p> <p>7</p> <p>SO</p> <p>MO</p> <p>HO</p> <p>8</p> <p>P1/S*</p> <p>P2/C*</p> <p>WS</p> | <p>Arm Light Source⁽³⁾</p> <p>Standard Output</p> <p>Mid Output</p> <p>High Output</p> <p>Upright LED</p> <p>No Upright LED</p> <p>Front Upright LED</p> <p>Back Upright LED</p> <p>Upright Light Source</p> <p>Standard Output</p> <p>Mid Output</p> <p>High Output</p> <p>Panel Material</p> <p>Wood (specify color)⁽⁴⁾</p> <p>Aluminum (specify color)⁽⁴⁾</p> <p>Weathering Steel</p> | <p>9</p> <p>120</p> <p>277</p> <p>10</p> <p>GFCI</p> <p>11</p> <p>STD</p> <p>MOD</p> | <p>Voltage</p> <p>120V</p> <p>277V</p> <p>Options</p> <p>GFCI Box</p> <p>Special</p> <p>Standard</p> <p>Modified</p> |
|--|---|---|---|--|---|

1. Lumen output based upon 3000K CCT. Consult factory for higher output.
 2. Consult factory for RGB color control options
 3. Lumen output based upon 3000K CCT. Output shown as Front Upright LED/Back Upright LED.
 4. See color options on finishes technical sheet.