

Spar Bollard LED Square Wood Traffic Bollard with Linear LED Strip

FIXTURE TYPE: _____

PROJECT NAME: _____



Glulam solid wood and aluminum bollard in 24", 36", and 48" heights with decorative LED strip.

FEATURES:

- Smooth, dot free lumination
- 90+ CRI
- Multiple static color options and color changing RGB available
- Integral power supply

SPECIFICATIONS:

HOUSING: Solid wood bollard is assembled through glulam construction and precision machined using CNC technology. Adhesive complies with ASTM D-2559 glulam construction specifications for extreme exposed weather conditions, is waterproof and rated for wet or dry use exposure.

Glulam wood shaft is fastened to an aluminum base tube secured to a steel anchor bolt base. Anchor bolt kit includes (4) 3/8" hot dip galvanized anchor bolts and fasteners and ridged concrete pour template.

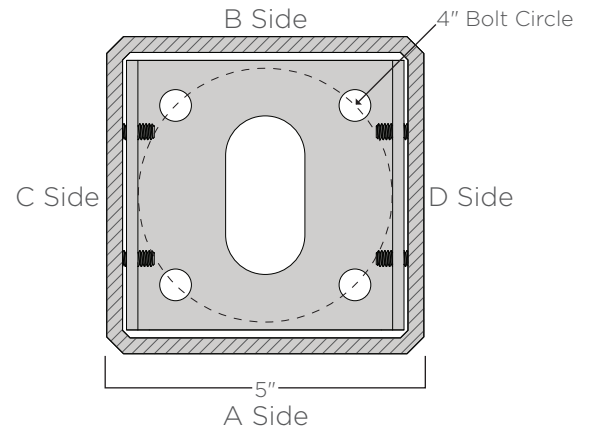
ELECTRICAL: A 5/16" - 18 grounding point is provided on the aluminum pole base. Wireway access is provided through a NEC compliant handhole with a flush, gasketed cover plate.



FINISHES AND MATERIALS: Woods are finished with a low VOC waterborne matte exterior finish containing UV and mildew inhibitors. All aluminum parts are polyester powder coat painted.

HARDWARE: Fasteners are stainless steel. Anchor bolt kits are hot dip galvanized.

Height	Standard Output		Medium Output		High Output	
	Lumens ⁽¹⁾	Watts	Lumens ⁽¹⁾	Watts	Lumens ⁽¹⁾	Watts
24"	108	2	198	3	294	5
36"	216	3	396	6	588	10
48"	324	4	594	9	882	15



ORDERING GUIDE: EXAMPLE: SBL-LED-36-M-ACD-L3550-S2-C7-UNV-STD



SBL	LED								UNV	
1	2	3	4	5	6	7	8	9	10	11

1	Series	6	Light Color	8	Wood Finish
SBL	Spar Bollard	L27	2700K	S*	See color options on finishes technical sheet
2	Light Source	L30	3000K	9	Metal Finish
LED	Linear LED	L35	3500K	C*	See color options on finishes technical sheet
3	Height	L40	4000K	CSM	Custom Color
24	24"	AMB	Amber	10	Voltage
36	36"	BLU	Blue	UNV	120-277VAC
48	48"	GRN	Green	11	Special
4	Top	RED	Red	STD	Standard
W	Wood	RGB	Color Changing ⁽²⁾	MOD	Modified
C	Casted Top Cap	7	Light Source⁽³⁾		
M	Aluminum Plate	SO	Standard Output		
5	Illumination	MO	Mid Output		
A	A Side	HO	High Output		
B	B Side				
C	C Side				
D	D Side				

1. Lumen output based upon 3000K CCT.
 2. Requires remote controller. Consult factory for RGB color control options.
 3. Consult factory for higher output.
 4. Leave section blank if no additional fixture mounting.