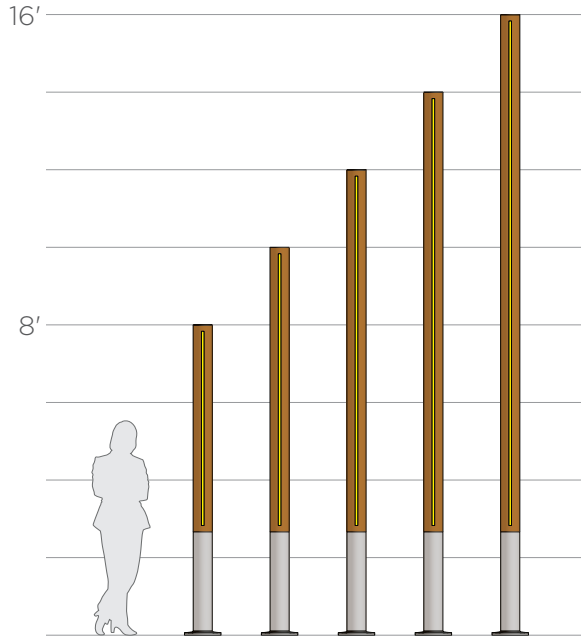


# Bol LED 8' – 16' Round Straight Linear LED Poles

FIXTURE TYPE: \_\_\_\_\_

PROJECT NAME: \_\_\_\_\_



Glulam solid wood and aluminum pole available in 8' – 16' heights with decorative LED strip.

## FEATURES:

- Round extruded aluminum pole base with flush handhole cover held with countersunk stainless steel fasteners
- Smooth, dot free lumination
- 90+ CRI
- Multiple static color options and color changing RGB available
- Integral power supply

## SPECIFICATIONS:

**HOUSING:** Solid wood pole is assembled through glulam construction and precision machined using CNC technology. An electrical raceway is provided in the pole's center for wiring. Laminations measure no more than 2" in thickness. Adhesive complies with ASTM D-2559 glulam construction specifications for extreme exposed weather conditions, is waterproof and rated for wet or dry use exposure.

Glulam wood shaft is fastened to aluminum pole base welded to a 3/4" thick aluminum anchor bolt base. Anchor bolt kit includes (4) 3/4" hot dip galvanized anchor bolts and fasteners and ridged concrete pour template.



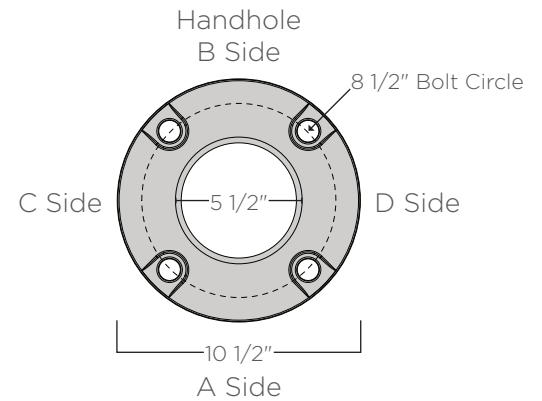
**ELECTRICAL:** Powered by a 90-305VAC primary/24VDC secondary integral power supply. System is 0-10V dimmable. Constructed with a US and Canada UL listed luminaire.

**OPTICAL SYSTEM:** Available in 2700K, 3000K, 3500K, 4000K color temperatures with smooth, dot free illumination. Consult factory for other lumen outputs. Operating temperature of -25°F to 42°F.

**FINISHES AND MATERIALS:** Woods are finished with a low VOC waterborne matte exterior finish containing UV and mildew inhibitors. All aluminum parts are polyester powder coat painted.

**HARDWARE:** Fasteners are stainless steel. Anchor bolt kits are hot dip galvanized.

Height	Standard Output		Medium Output		High Output	
	Lumens <sup>(1)</sup>	Watts	Lumens <sup>(1)</sup>	Watts	Lumens <sup>(1)</sup>	Watts
8'	540	8	990	15	1470	25
10'	756	11	1386	21	2058	35
12'	972	14	1782	27	2646	45
14'	1188	17	2178	33	3234	55
16'	1404	20	2574	39	3822	65



**ORDERING GUIDE:** EXAMPLE: BOL-LED-14-AC-L3050-S4-C3-UNV-STD



<b>1</b>	<b>Series</b>	<b>5</b>	<b>Light Color</b>	<b>9</b>	<b>Voltage</b>
<b>BOL</b>	Bol	<b>L27</b>	2700K	<b>UNV</b>	120-277VAC
<b>2</b>	<b>Light Source</b>	<b>L30</b>	3000K	<b>10</b>	<b>Fixture Mounting<sup>(4)</sup></b>
<b>LED</b>	Linear LED	<b>L35</b>	3500K	<b>LIN</b>	Structura Linear
<b>3</b>	<b>Height</b>	<b>L40</b>	4000K	<b>Tenon</b>	
<b>8</b>	8'	<b>AMB</b>	Amber	<b>T2384</b>	2 3/8" x 4" Tenon
<b>10</b>	10'	<b>BLU</b>	Blue	<b>T2784</b>	2 7/8" x 4" Tenon
<b>12</b>	12'	<b>GRN</b>	Green	<b>T3124</b>	3 1/2" x 4" Tenon
<b>14</b>	14'	<b>RED</b>	Red	<b>T4004</b>	4" x 4" Tenon
<b>16</b>	16'	<b>RGB</b>	Color Changing <sup>(2)</sup>	<b>TXXX</b>	Specify other Tenon
<b>4</b>	<b>Illumination</b>	<b>6</b>	<b>Light Source<sup>(3)</sup></b>	<b>Drill</b>	
<b>A</b>	A Side	<b>SO</b>	Standard Output	<b>D1</b>	1 @ 90deg
<b>B</b>	B Side	<b>MO</b>	Mid Output	<b>D2</b>	2 @ 180deg
<b>C</b>	C Side	<b>HO</b>	High Output	<b>D3</b>	2 @ 90deg
<b>D</b>	D Side	<b>7</b>	<b>Wood Finish</b>	<b>D4</b>	3 @ 90deg
		<b>S*</b>	See color options on finishes technical sheet	<b>D5</b>	4 @ 90deg
		<b>8</b>	<b>Metal Finish</b>	<b>11</b>	<b>Special</b>
		<b>C*</b>	See color options on finishes technical sheet	<b>STD</b>	Standard
		<b>CSM</b>	Custom Color	<b>MOD</b>	Modified

1. Lumen output based upon 3000K CCT.  
 2. Consult factory for RGB color control options  
 3. Consult factory for higher output.  
 4. Leave section blank if no additional fixture mounting is required. Height subject to change based upon additional fixture mounting.