

# Ata Solar Powered Wood Body LED Bollard

FIXTURE TYPE: \_\_\_\_\_

PROJECT NAME: \_\_\_\_\_



Glulam solid wood bollard with First Light Technologies solar powered LED light source ideal for wayfinding applications.

## FEATURES:

- Low installed cost, no trenching, cabling or wiring
- No electric bills, no lamp replacement
- Provides a visibly green statement with no ongoing carbon emissions
- Automatically manages performance based on environmental conditions
- Concealed anchor bolts or screw-in foundation

## SPECIFICATIONS:

**HOUSING:** Solid wood bollard is assembled through glulam construction and precision machined using CNC technology. Adhesive complies with ASTM D-2559 glulam construction specifications for extreme exposed weather conditions and is waterproof and rated for wet or dry use exposure.

**SOLAR MODULE:** Module integrated into the top cap encapsulated in a high-impact, UV resistant, polyurethane. Automatically adapts to optimize lighting performance based on environmental conditions and lighting requirements.

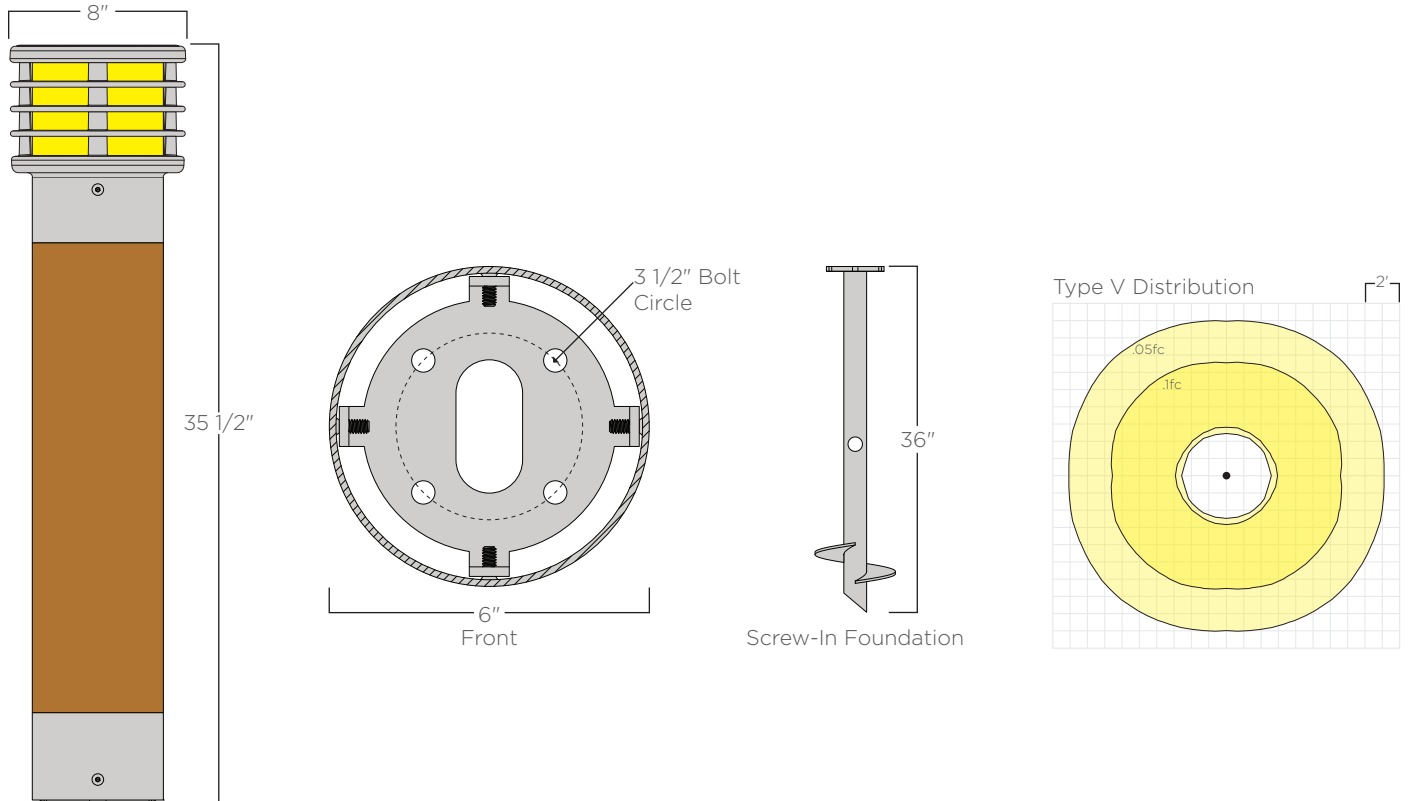
**BATTERY:** High-performance lithium battery. Exceptional 8 to 10 year life cycle. High temperature tolerance with a -4°F winter rating. Contained within the bollard and designed for easy changes when required.



**OPTICAL SYSTEM:** Uses high-output LEDs with a 100,000 hour L70 life. Typical lumen output is 86-130 lumens with warm white (3000K) or neutral white (4000K) color temperatures.

**FINISHES AND MATERIALS:** Woods are finished with a low VOC waterborne matte exterior finish containing UV and mildew inhibitors. All aluminum parts are polyester powder coat painted to AAMA-2604 standard.

**HARDWARE:** Fasteners are stainless steel. Concealed anchor bolt kits are hot-dip galvanized.



**ORDERING GUIDE:** EXAMPLE: ATA-SOL-356-L405-5-S5-C6-04-SCW-STD



ATA	SOL	36								
1	2	3	4	5	6	7	8	9	10	

**1 Series**

**ATA** Ata

**2 Power**

**SOL** Solar Powered

**3 Overall Height**

**36** 36"

**4 Color Temperature**

**L30** 3000K LED  
**L40** 4000K LED

**5 Distribution**

**5** Type V

**6 Wood Finish**

**S\*** See color options on finishes technical sheet

**7 Metal Finish**

**C1** Bone White  
**C2** Light Silver  
**C6** Bronze  
**C7** Jet Black  
**CSM** Custom

**8 Lighting Profile**

**00** Dusk 'til Dawn  
**01** Dark +6 hours then off  
**02** Dark +6 hours then 30%  
**03** Dark +5 hours, off, Dawn -1 hour  
**04** Dark +5 hours, 30%, Dawn -1 hour (default)

**9 Mounting**

**CB** Concrete Anchor Bolts  
**SCW** Screw-In Foundation

**10 Special**

**STD** Standard  
**MOD** Modified